

PROGRAM

April 23, 2007 (reception dinner on April 22nd) - **Regular meeting of the IWA Task Group on Benchmarking of WWTP control strategies** (<http://www.BenchmarkWWTP.org>)

April 24th 2007 – **Technical Workshop about WWTP modelling.** Benchmarking of WWTPs control strategies. WWTP design, operation and control.

Technical Workshop aimed at researchers and professionals experts in wastewater treatment (both from water agencies and private companies of this industrial sector) with the aim of:

- learning the opportunities and real needs in WWTP control and modelling.
- learning about the work carried out by the IWA Task Group on Benchmarking and the tools that are being developed.

Programme, April 24, 2007

9:00 - 9:15 Welcome. Victòria Salvadó. Director of the ICRA (Catalan Institute for Water Research)

9:15 - 9:30 Outline of the workshop

9:30 -11:00 General introduction to the activated sludge modelling and their application. J. Comas (UdG)

General presentation of the Benchmark platform (including evaluation criteria) for objective performance assessment. U. Jeppsson (ULund).

Conceptual design based on multicriteria analysis. I. Rodríguez-Roda (UdG).

The use of activated sludge models to solve real full-scale problems. J. Copp (Primodal).

11:00 -11:15 *Coffee break*

11:15 -13:15 WWTP control and modelling: Applications in real case studies:

EDAR Galindo-Bilbao: Ejemplos de la utilización de modelos para optimizar el diseño, operación y control de las EDAR. E. Ayesa (CEIT San Sebastián).

Modificación de la EDAR de Caldes de Montbui para la eliminación biológica de fósforo. A. Bartrolí (UAB).

Diseño de un sistema de control fuzzy para la eliminación de C/N en un reactor tipo carrusel: Aplicación de la modelización como elemento clave. J. Colprim (UdG).

Rediseño e implantación del sistema de control de oxígeno disuelto para ahorro energético utilizando modelación: resultados de dos años de explotación en el caso de la EDAR de Denia-Ondara. J. Ferrer Polo (UPV).

13:15-13:30 *Break*

13:30 - 14:30 Plenary discussion. Moderator: Manel Poch

14:30 -16:00 *Lunch*

16:00 Workshop closure.

Who should attend ?

This technical workshop about modelling is aimed at researchers and professionals with working knowledge of activated sludge that ...

want to learn about activated sludge modelling ...

want to discover their utility ...

want to improve the control and performance of their facilities ...

...

wish to improve WWTP design ...

want to improve your modelling skills ...

In summary any one interested in some of these aspects should **APPLY AND ATTEND THIS 1st TECHNICAL WORKSHOP !**

The workshop is primarily aimed at those already employed in industry who wish to update practical insight in the WWTP modelling field.

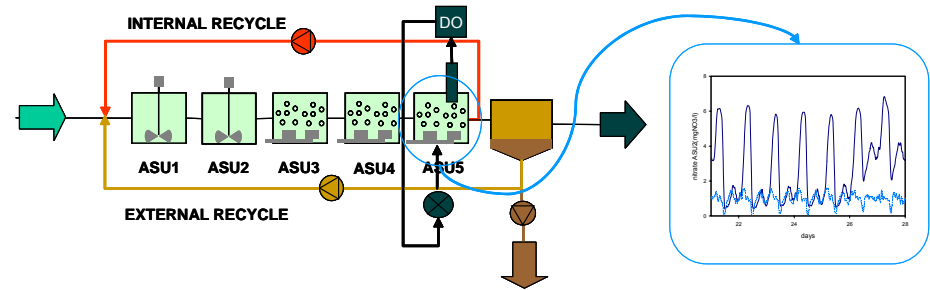
For additional information: info@lequia.udg.es

Organiser:

Laboratori d'Enginyeria Química i Ambiental (LEQUIA)
Institut de Medi Ambient, Universitat de Girona.

Support from:

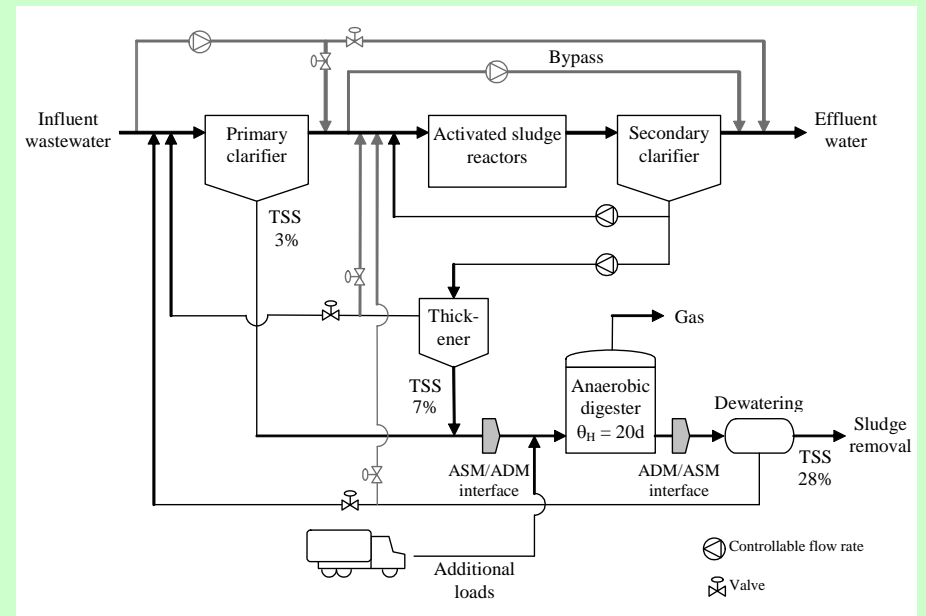
IWA Task Group on Benchmarking
Ministerio de Educación y Ciencia
CIDEM Generalitat de Catalunya
AGAUR (Agència de Gestió d'Ajuts Universitaris i de Recerca)
Catalan Institute for Water Research



I Technical Workshop about WWTP Modelling

Benchmarking of WWTPs control strategies

WWTP design, operation and control



Location:

Sala de Graus, Facultat de Ciències – Universitat de Girona
Girona, Abril 24th 2007

TECHNICAL WORKSHOP ABOUT WWTP MODELLING. BENCHMARKING OF WWTPS CONTROL STRATEGIES. WWTP DESIGN, OPERATION AND CONTROL.

Fees & Registration

Please complete the following required data and submit the form electronically (<http://lequia.udg.cat>) if you are interested to attend the workshop.

I wish to attend the workshop of April 24, 2007

Family name _____ First name _____
Organisation/Company _____
Address _____
Phone _____
Fax _____
Email address _____
Date /signature _____

The workshop fee is 60 €. It includes workshop materials, coffee-breaks and lunch.

Payment should be made by bank transfer to the following account number:

Bank name: Caixa de Girona

Account number: 2030 0167 96 3300010005

IBAN number: ES13 2030 0167 96 3300010005

BIC: CECAESMM030

Holder of the account: SISLtech, S.L.

Subject: Modelling workshop

Bank justification has to be sent to info@lequia.udg.es or fax number +34 972 418 150 in order to confirm registration.